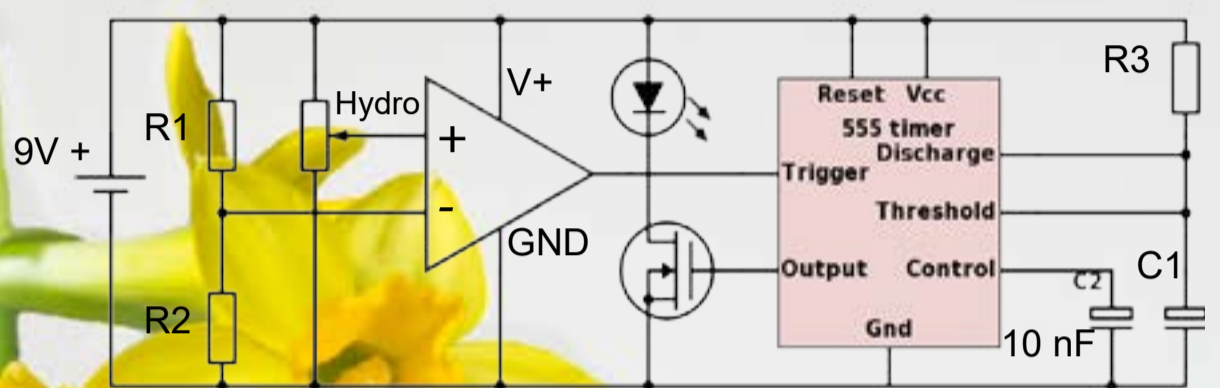


PLANTIE

Automatic plant watering system



We have developed a system that keeps the humidity of potting soil in which a plant is planted, constant. To achieve this, we have created a system which consists of two parts:

The first part of the system monitors the humidity of the potting soil, and checks it against a set threshold. When the humidity dips below the threshold, the system activates part two.

Part two is the system that supplies water to the soil to water it.

We have developed this system without using Arduino or any equivalent microprocessors, but solely used passive components and IC's to achieve our goal.

Tjeu van Bussel
t.t.v.bussel@student.tue.nl
0990679

Sophie Baars
s.e.m.baars@student.tue.nl
1006616